

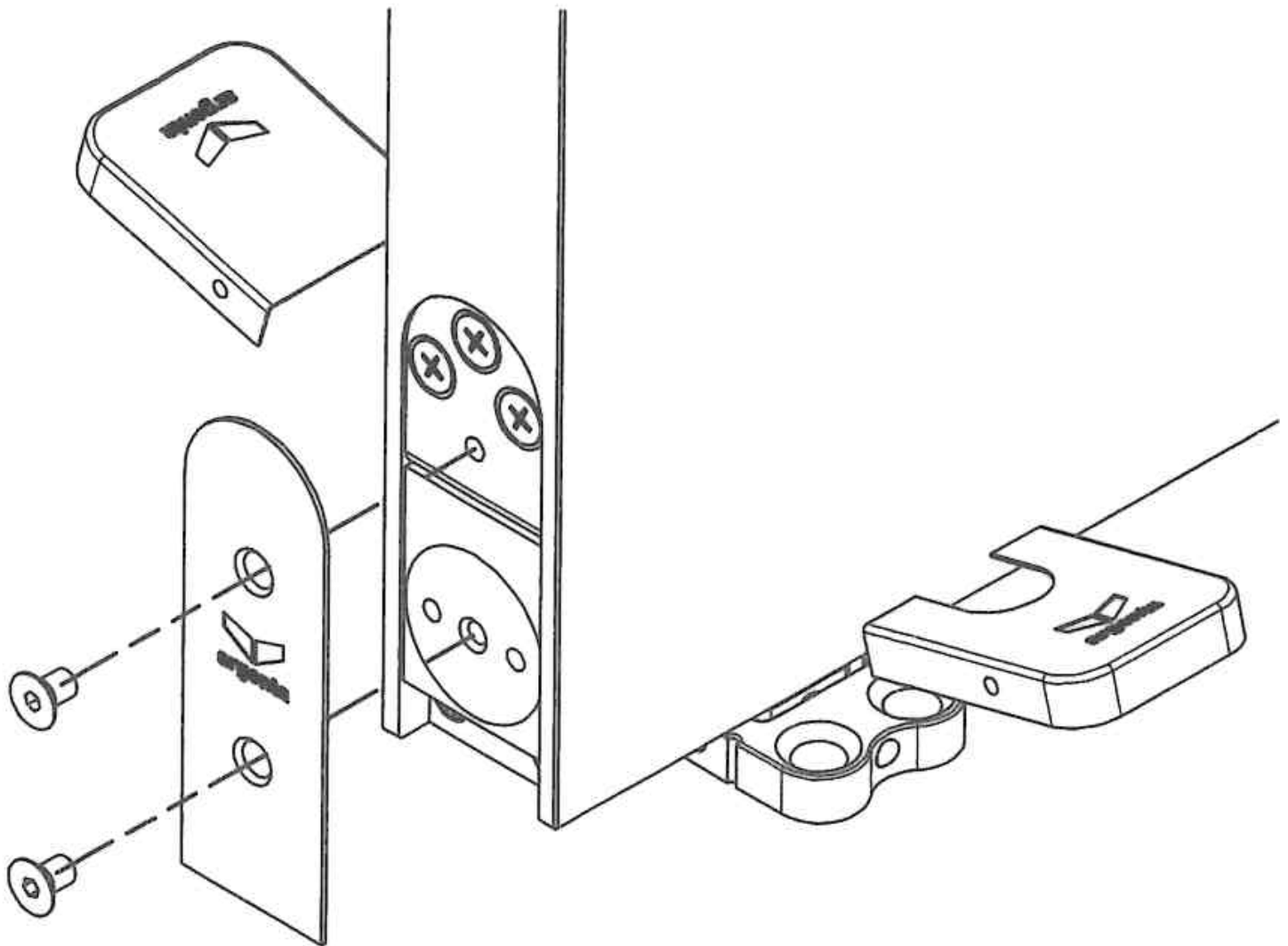


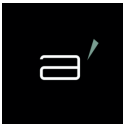
Technical Data Sheet

Arlu® (Argenta®)

# Pivotica Pro 100 & 150

Concealed Self-Closing Pivoting Hinges



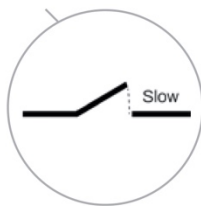


## Pivotica Pro 100 & 150

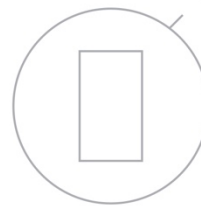
### Overview

For interior doors weighing:  
**Pivotica Pro 100:** Up to 100Kg  
**Pivotica Pro 150:** Up to 150Kg

Soft close from pivot's hydraulics system for wall protection and prevent finger jamming



Max. Door Width  
2000mm  
(Only in de-centralised position)



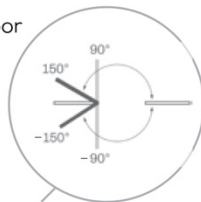
Min. Door Thickness:  
**Pivotica Pro 100:** 40 mm  
**Pivotica Pro 150:** 50 mm  
(wood doors)



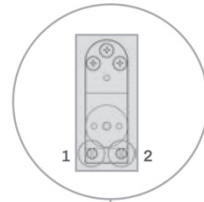
Choose from 3 pivot points: corner, de-central and central position



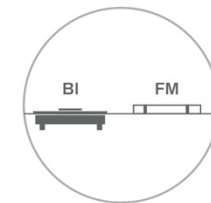
Pivot keeps the door perfectly flush with the wall



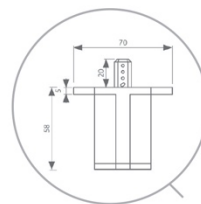
Opening angle of 150° in both directions or hold open at 90° to keep door open



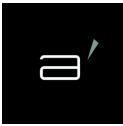
Adjustable Closing Speed & Active Speed Dampening



Floor mounted (FM) or Built In (BI) options for the foot plate



Smallest head in the market



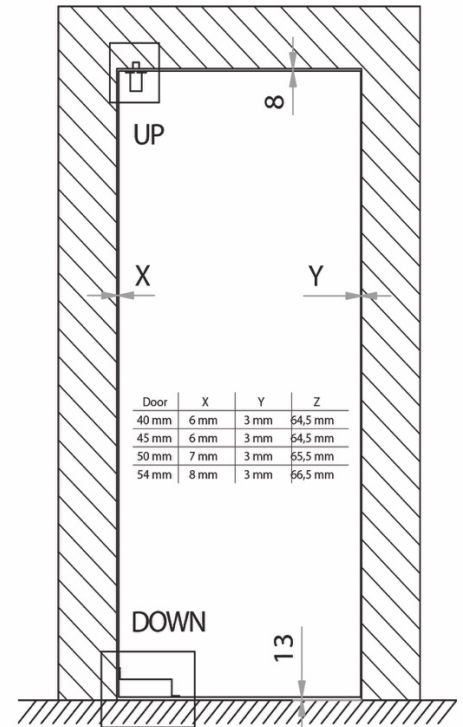
## Pivotica Pro 100

### Floor Mounted

<b>Min-Max. Door Weight</b>	40 – 100 kg
<b>Min-Max. Door Thickness</b>	40 – 100 mm
<b>Door Width: 1</b>	2000 mm
<b>Min-Max. Door Height</b>	600 – 3000 mm
<b>Width Adjustment</b>	-3 / +3 mm
<b>Depth Adjustment</b>	-3 / + 3 mm
<b>Alignment</b>	-4 / + 4 mm°
<b>Holding Position: 2</b>	0° or -90° / 0° / 90°
<b>Bottom Door Clearance</b>	13 mm

1. In the corner position, 2000 mm. Doors wider than 2000 mm need pivot to be placed in the de-centralised position using the bracket included.

2. FO = 0° / Free Swing at max. angle 150°  
F90 = Fixed / hold open at 90°

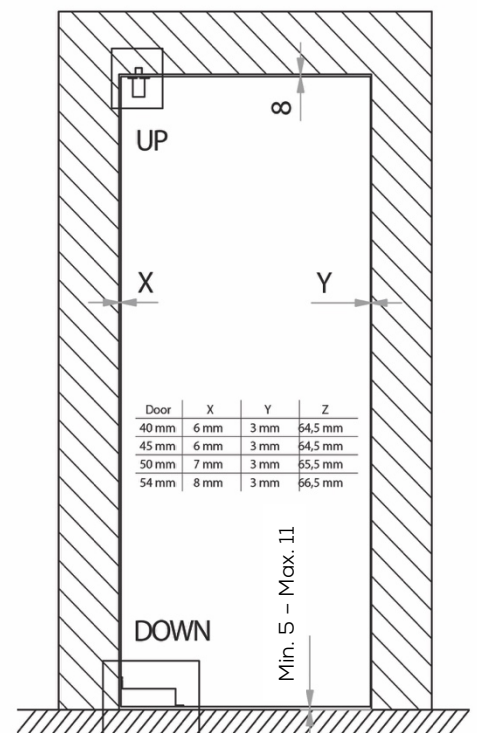


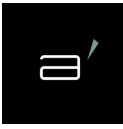
### Built In

<b>Min-Max. Door Weight</b>	40 – 100 kg
<b>Min-Max. Door Thickness</b>	40 – 100 mm
<b>Door Width: 1</b>	2000 mm
<b>Min-Max. Door Height</b>	600 – 3000 mm
<b>Width Adjustment</b>	-3 / +3 mm
<b>Depth Adjustment</b>	-3 / + 3 mm
<b>Height Adjustment</b>	+ 6 mm
<b>Alignment</b>	-4 / + 4 mm°
<b>Holding Position: 2</b>	0° or -90° / 0° / 90°
<b>Bottom Door Clearance</b>	Min 5 – Max. 11mm

1. In the corner position, 2000 mm. Doors wider than 2000 mm need pivot to be placed in the de-centralised position using the bracket included.

2. FO = 0° / Free Swing at max. angle 150°  
F90 = Fixed / hold open at 90°





## Pivotica Pro 150

### Floor Mounted

<b>Min-Max. Door Weight</b>	40 – 150 kg
<b>Min-Max. Door Thickness</b>	50 – 100 mm
<b>Door Width: 1</b>	<100kg = 2500 mm >100kg = 2000 mm
<b>Min-Max. Door Height</b>	600 – 3000 mm
<b>Width Adjustment</b>	-3 / +3 mm
<b>Depth Adjustment</b>	-3 / + 3 mm
<b>Alignment</b>	-4 / + 4 mm°
<b>Holding Position: 2</b>	0° or -90° / 0° / 90°
<b>Bottom Door Clearance</b>	13 mm

1. In the corner position, 2000 mm. Doors wider than 2000 mm need pivot to be placed in the de-centralised position using the bracket included.

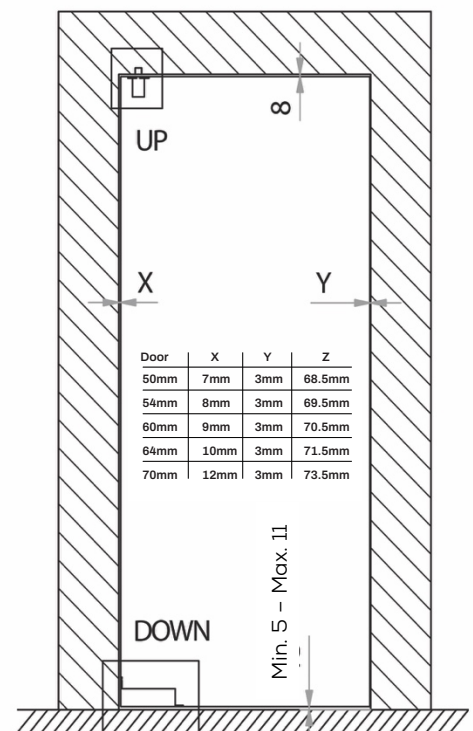
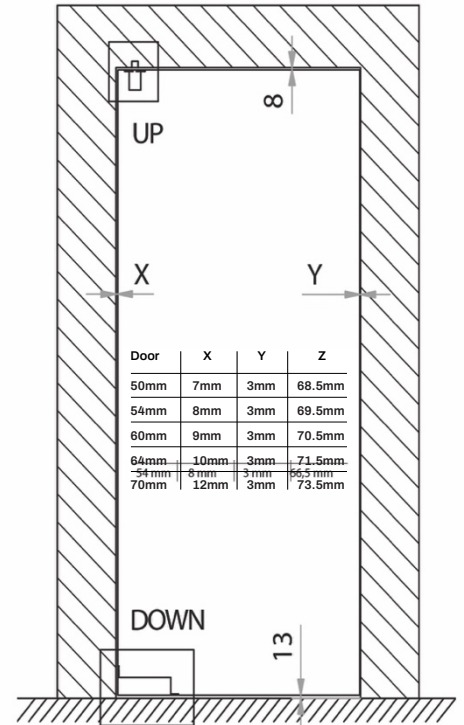
2. FO = 0° / Free Swing at max. angle 150°  
F90 = Fixed / hold open at 90°

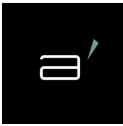
### Built In

<b>Min-Max. Door Weight</b>	40 – 150 kg
<b>Min-Max. Door Thickness</b>	50 – 100 mm
<b>Door Width: 1</b>	<100kg = 2500 mm >100kg = 2000 mm
<b>Min-Max. Door Height</b>	600 – 3000 mm
<b>Width Adjustment</b>	-3 / +3 mm
<b>Depth Adjustment</b>	-3 / + 3 mm
<b>Height Adjustment</b>	+ 6 mm
<b>Alignment</b>	-4 / + 4 mm°
<b>Holding Position: 2</b>	0° or -90° / 0° / 90°
<b>Bottom Door Clearance</b>	Min 5 – Max. 11mm

1. In the corner position, 2000 mm. Doors wider than 2000 mm need pivot to be placed in the de-centralised position using the bracket included.

2. FO = 0° / Free Swing at max. angle 150°  
F90 = Fixed / hold open at 90°





## Pivotica Pro 100 & 150

### Finishes & Materials

#### Ceiling Plate

**Finish** Stainless Steel  
Brushed Stainless Steel

#### Floor Plate

**Finish** Stainless Steel  
Brushed Stainless Steel

#### Bottom Pivot System

**Casing (Finish)** Zinc Alloy  
Adonised

**Spring** Stainless Steel

**Control Components** Stainless Steel

#### Top Pivot System

**Casing (Finish)** Zinc Alloy  
Galvanised

**Spring** Stainless Steel

**Control Components** Stainless Steel



Cover Plate - White



Cover Plate - Black



Cover Plate - Satin Stainless Steel



Floor Plate - Stainless Steel



Floor Plate - Satin Stainless Steel

### Pivot Points

#### Pivotica Pro 100

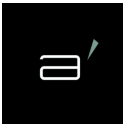
Recommended Pivot Point (Z)	Door Width	Max Axis Point From Lock Side
58.5 mm	1000 mm	1000 mm
100 mm	1100 mm	1000 mm
200 mm	1200 mm	1000 mm
300 mm	1300 mm	1000 mm
1000 mm	2000 mm	1000 mm

Applies for both Floor Mounted and Built In

#### Pivotica Pro 150

Recommended Pivot Point (mm)	Door Width (mm)	Max Axis Point From Lock Side
60.5	1000*	1000*
100	1100	1000
200	1200	1000
300	1300	1000
1000	2000	1000

Applies for both Floor Mounted and Built In

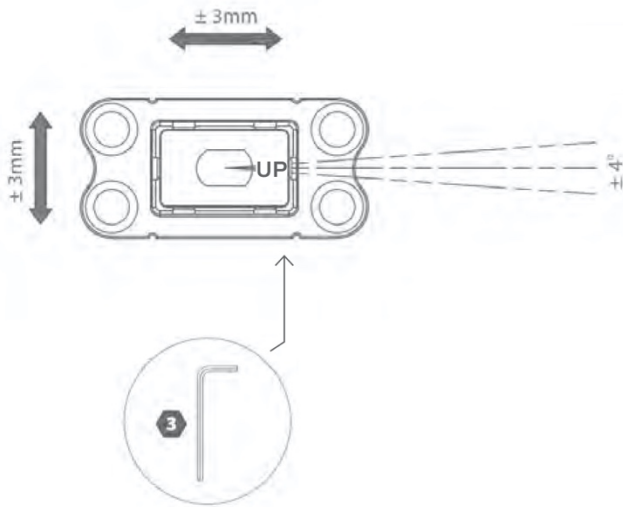


## Pivotica Pro 100 & 150

### Foot plate adjustment

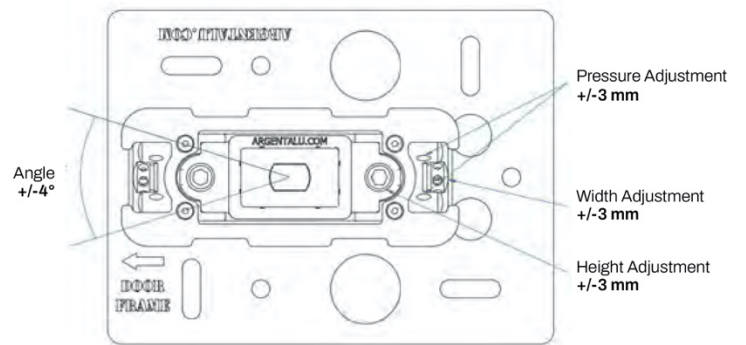
#### Floor Mounted:

Adjustable in both width & depth

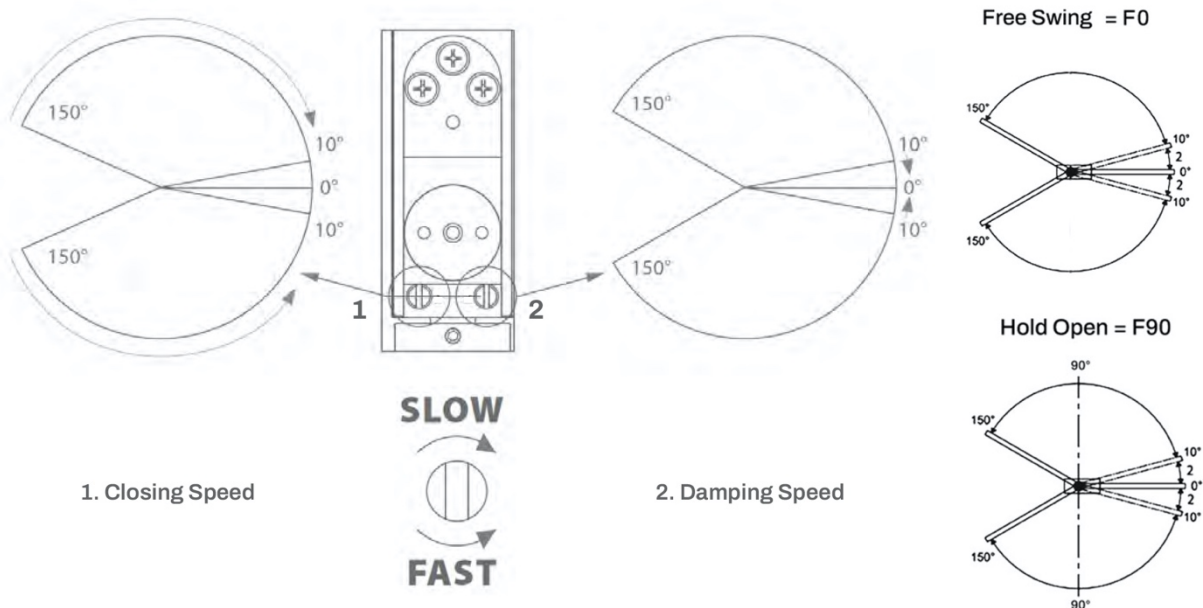


#### Built In:

Adjustable in both width & depth



### Adjustable floor plate adjust in width and depth





## Pivotica Pro 100 & 150

Installing the bracket onto the pivot body for Corner, De-Central and Central positions

---

**FM:** Floor Mounted

**BI:** Built In

### 1. Corner Position



### 1. Corner Position



### 2. De-Central Position



### 2. De-Central Position

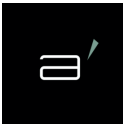


### 3. Central Position



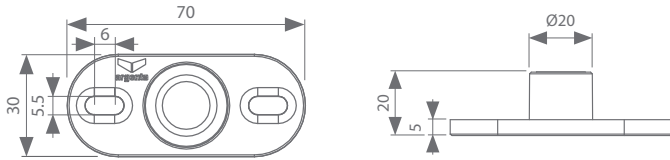
### 3. Central Position



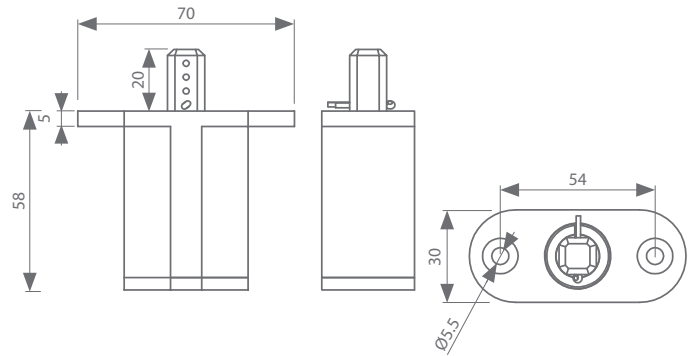


## Pivotica Pro 100

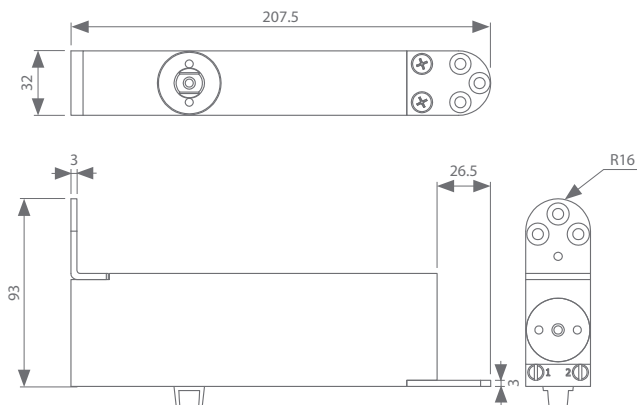
### Top pivot head – door jamb



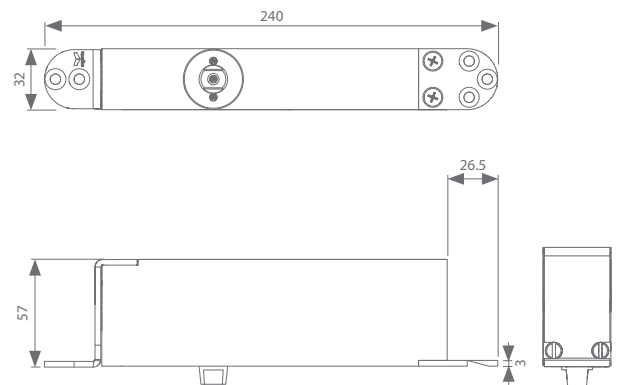
### Top pivot head - door



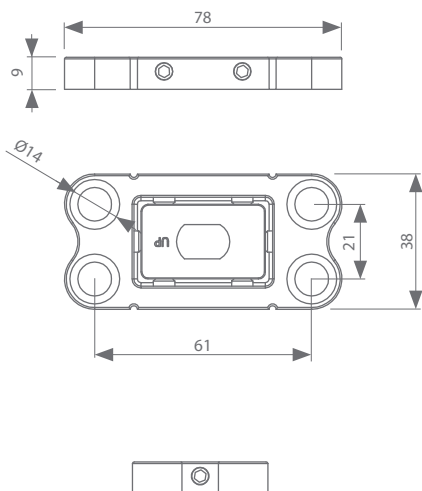
### Pivot body – corner position



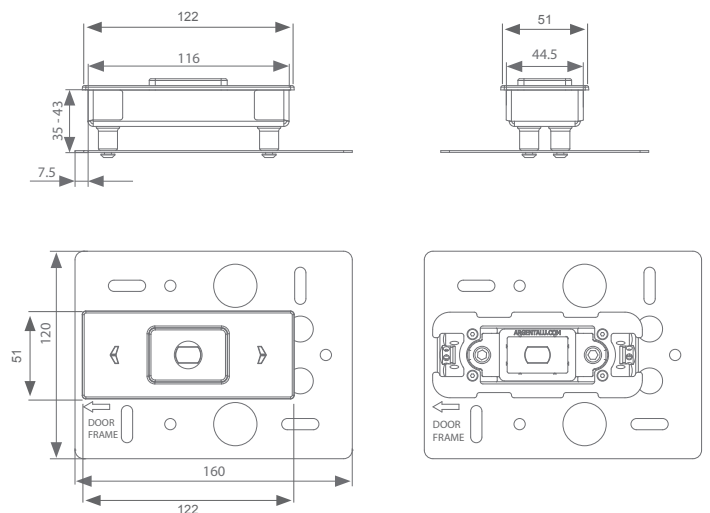
### Pivot body – centre or off - centre



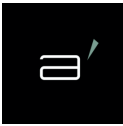
### Floor plate – floor mounted



### Floor plate – Built in

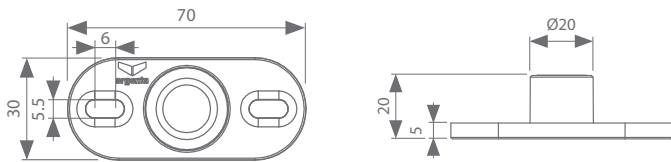




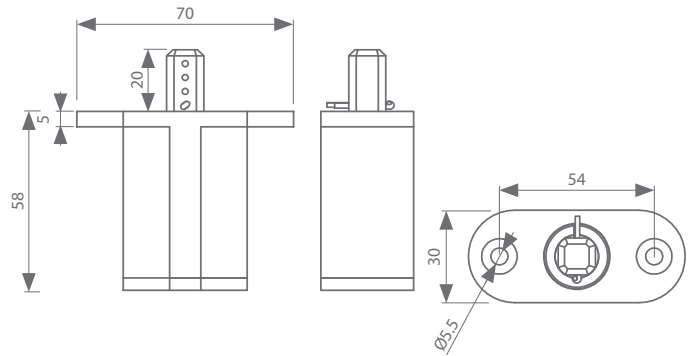


## Pivotica Pro 150

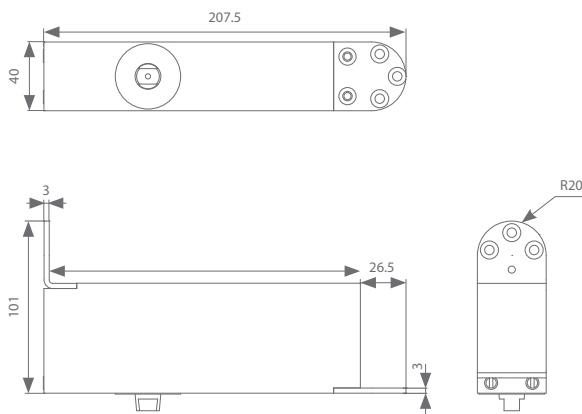
### Top pivot head – door jamb



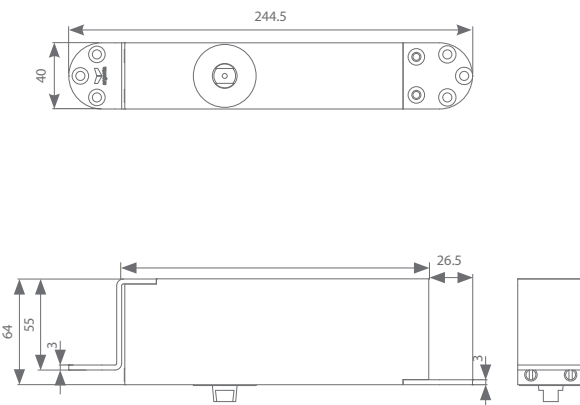
### Top pivot head – door



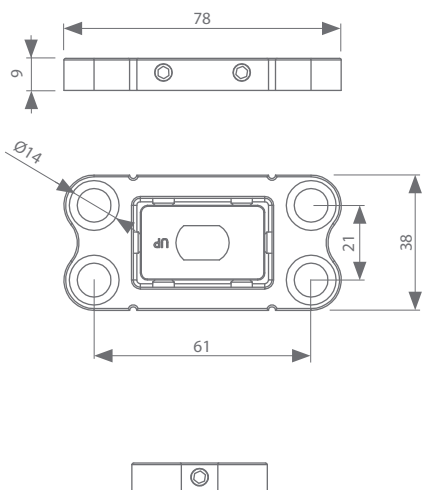
### Pivot body – corner position



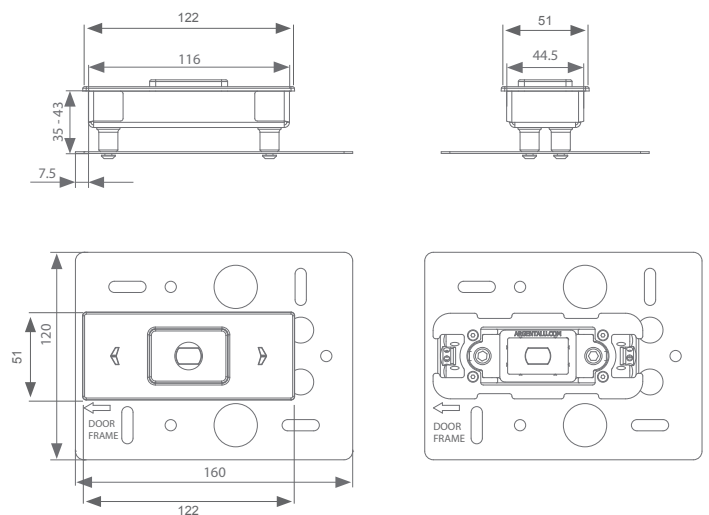
### Pivot body – centre or off - centre

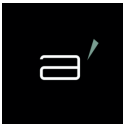


### Floor plate – floor mounted



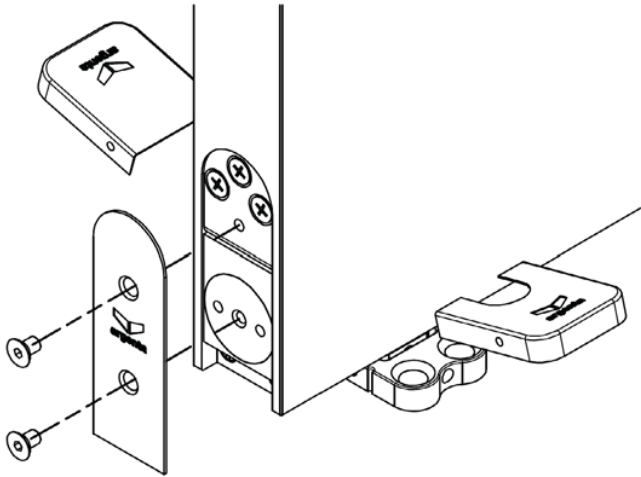
### Floor plate – Built in



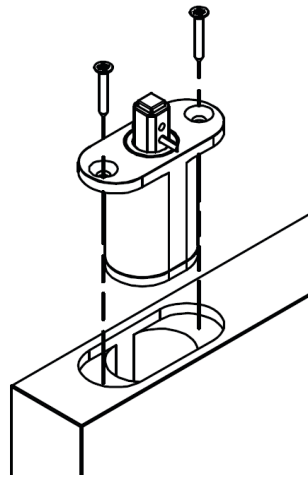


## Pivotica Pro 100 & 150

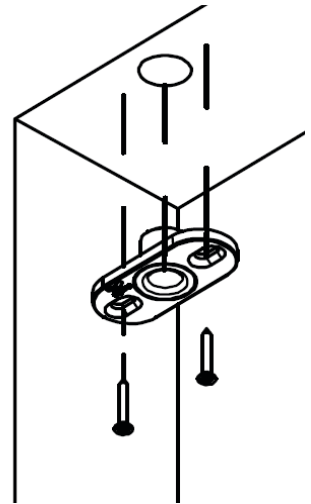
### Installation and Components – Floor Mounted



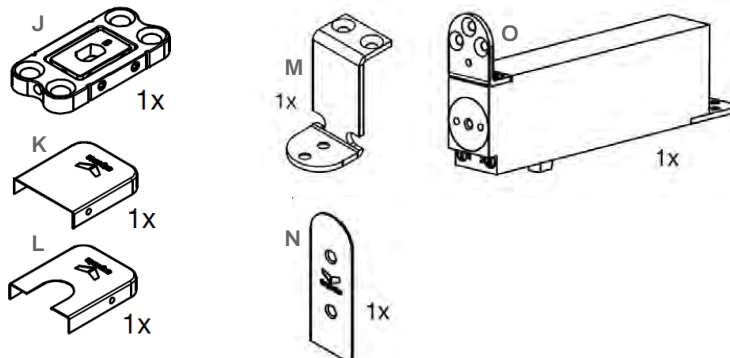
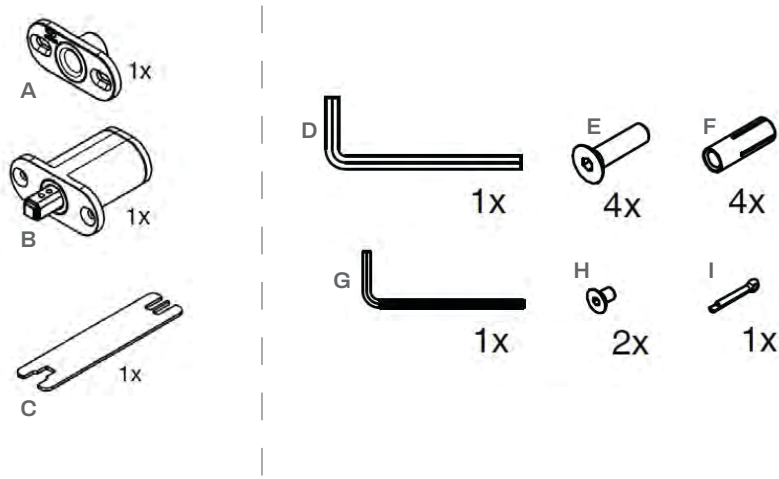
Pivot body | Pivot body face plate

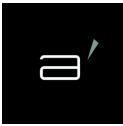


Top pivot head - door



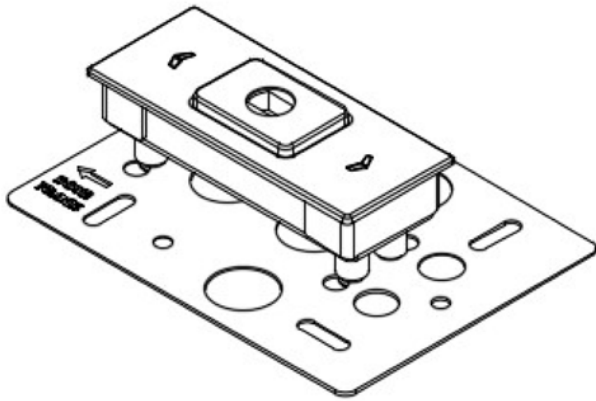
Ceiling plate – door jamb



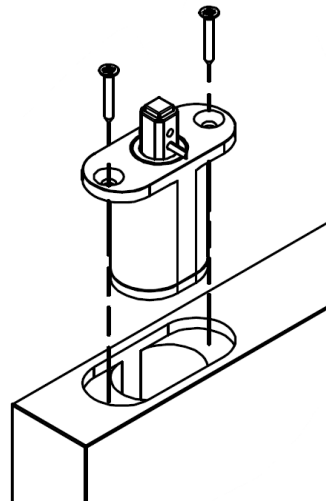


## Pivotica Pro 100 & 150

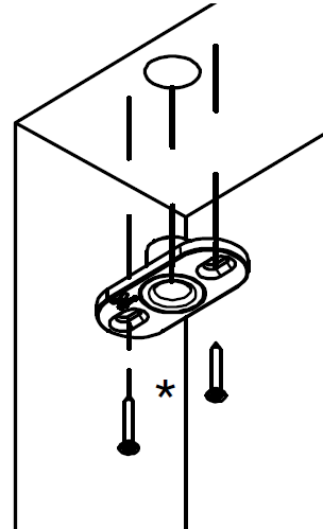
### Installation and Components – Built In



Built in plate



Top pivot head - door



Ceiling plate – door jamb

