

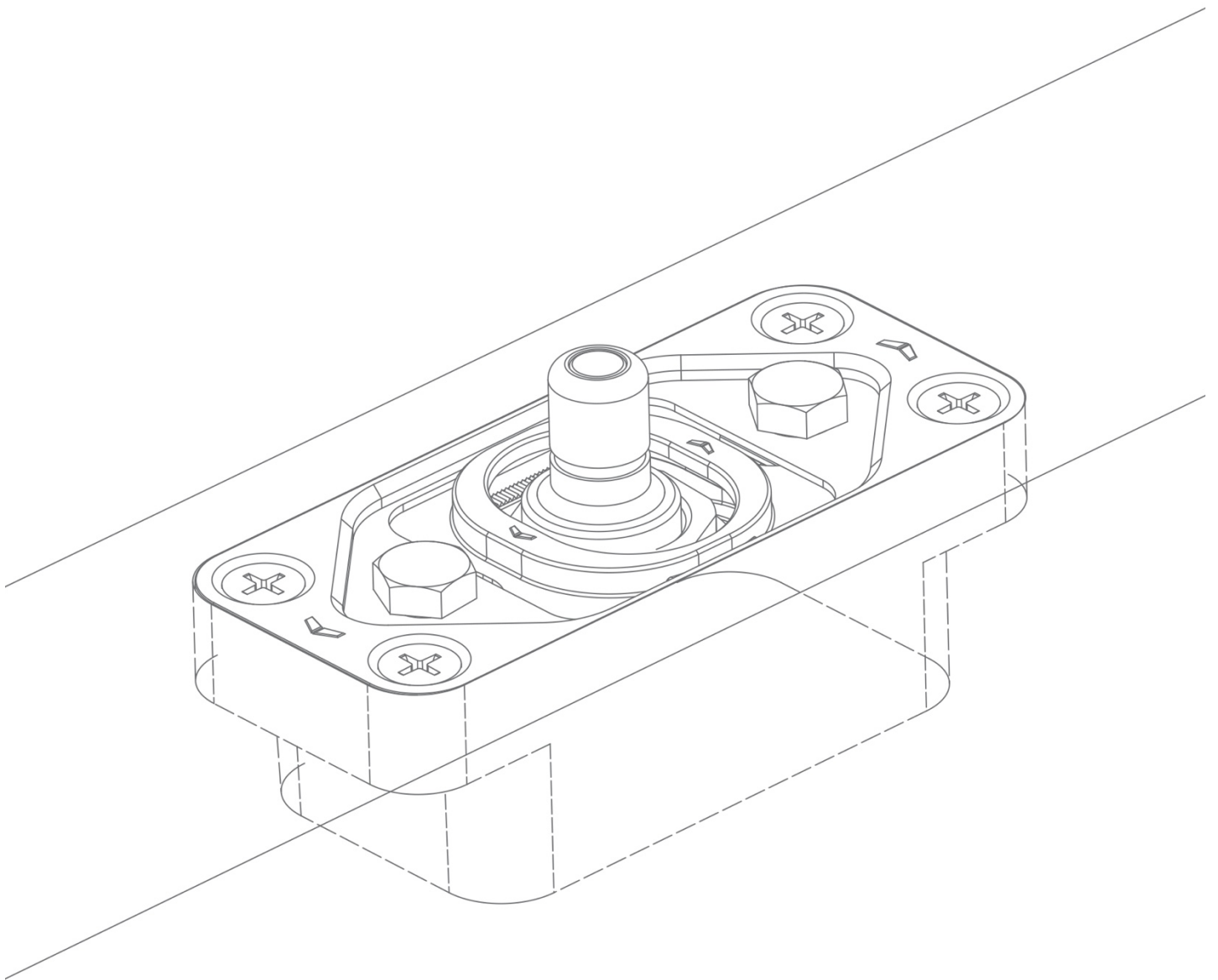


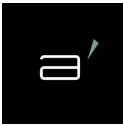
Technical Data Sheet

Arlu® (Argenta®)

Pivotica 45kg

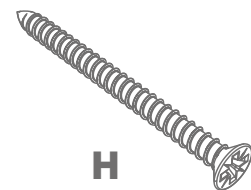
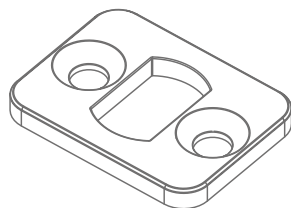
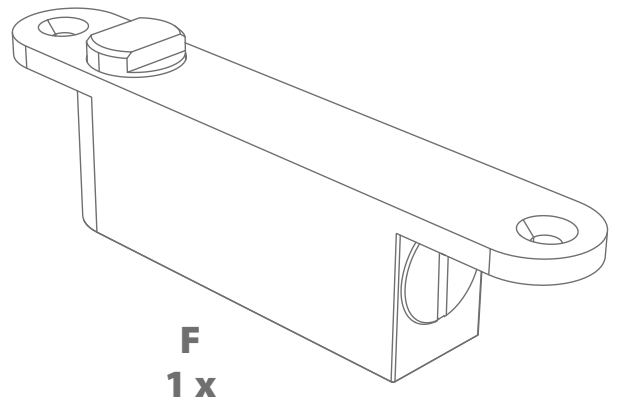
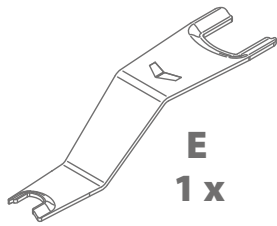
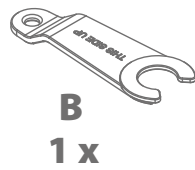
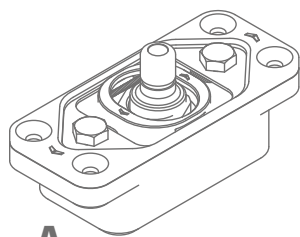
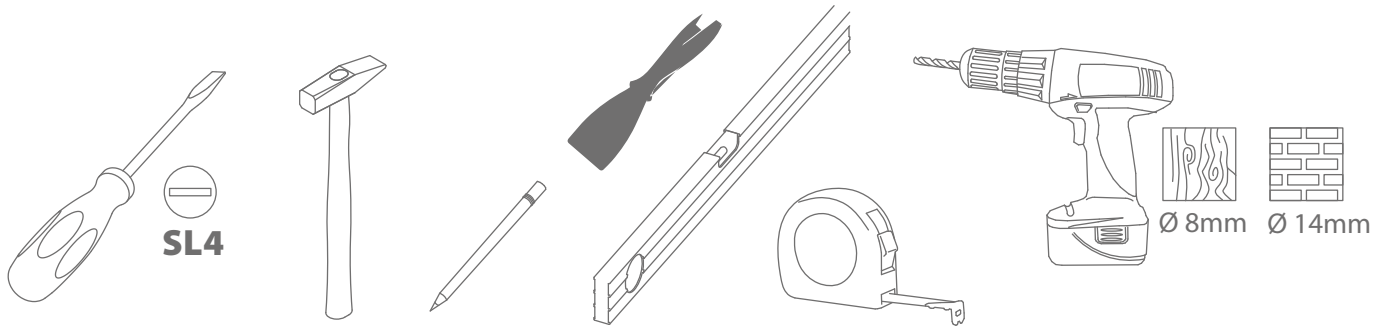
FM Floor Mounted





Pivotica 45kg

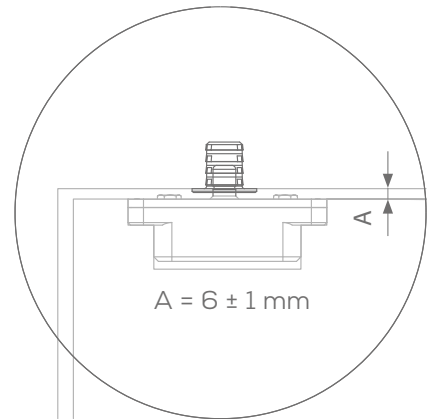
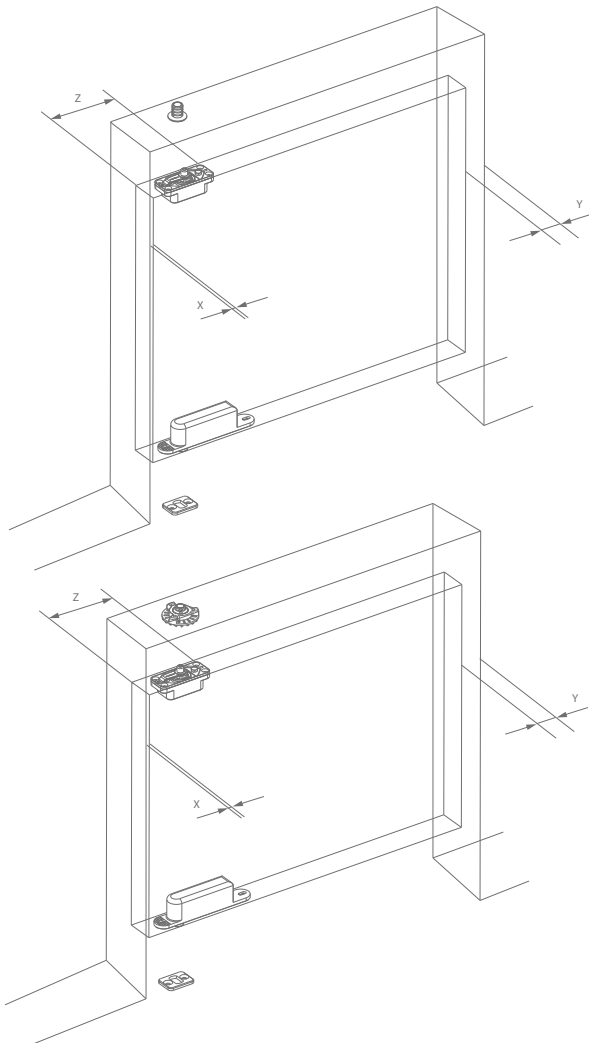
Accessories and components





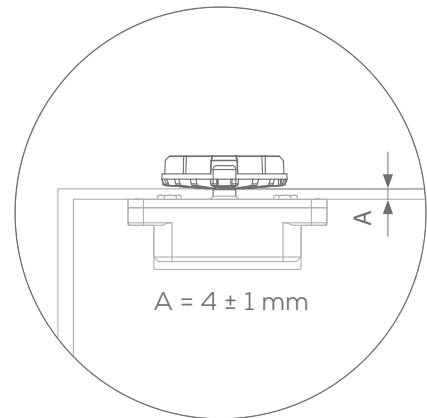
Pivotica 45kg

De-Central position



$$A = 6 \pm 1 \text{ mm}$$

LINTEL MOUNT



$$A = 4 \pm 1 \text{ mm}$$

CEILING MOUNT

Door	X	Y	Z
40 mm	6 mm	3 mm	45 mm
45 mm	7 mm	3 mm	45 mm
50 mm	9 mm	3 mm	45 mm
54 mm	10 mm	3 mm	45 mm

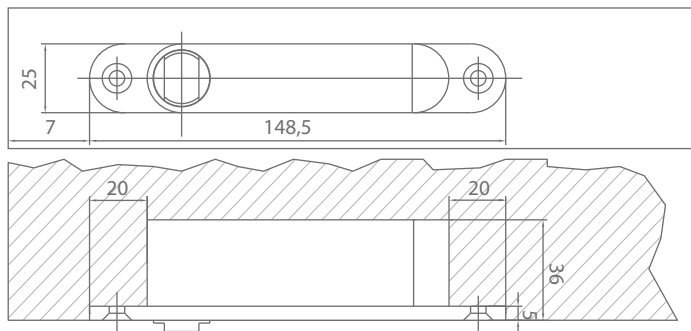
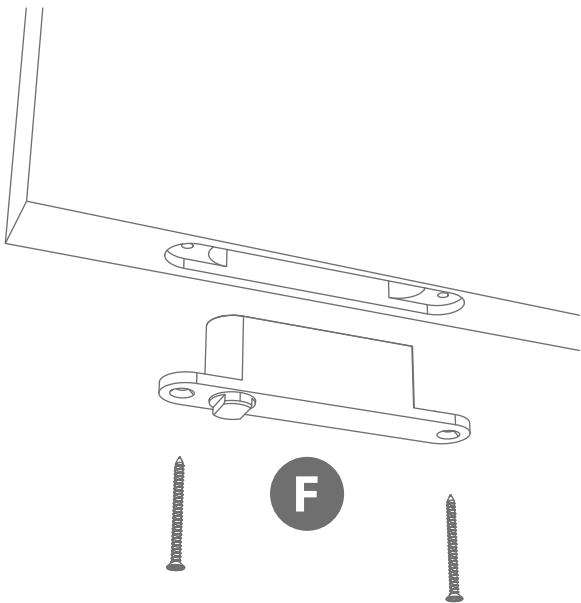
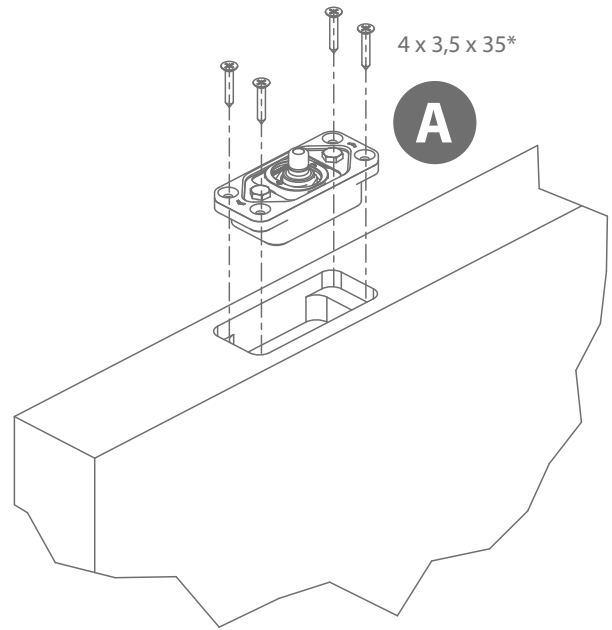
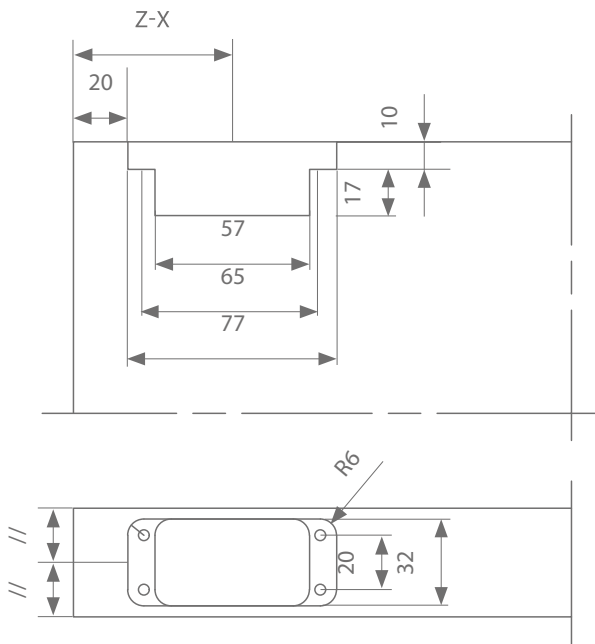
Dimensions of the door

	Min.	Max.
Thickness	38 mm	38 mm
Width	300 mm	1500 mm
Weight	20 mm	45 mm
Door	6 mm	10 mm
Door	5 mm	



Pivotica 45kg

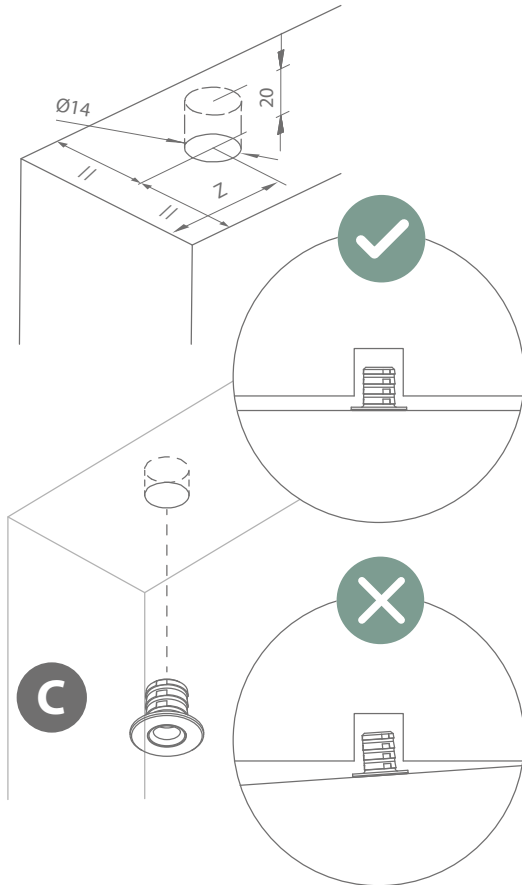
Preparation Door Leaf



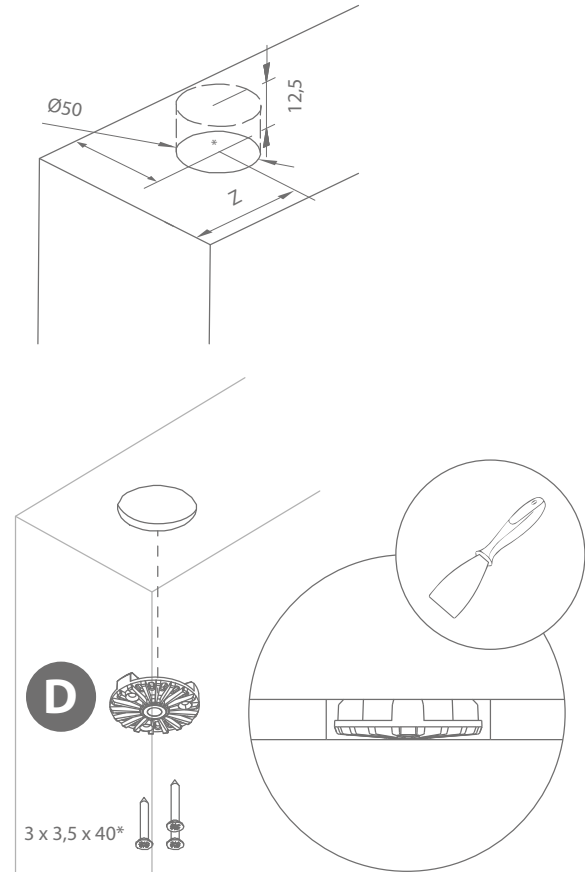


Pivotica 45 kg

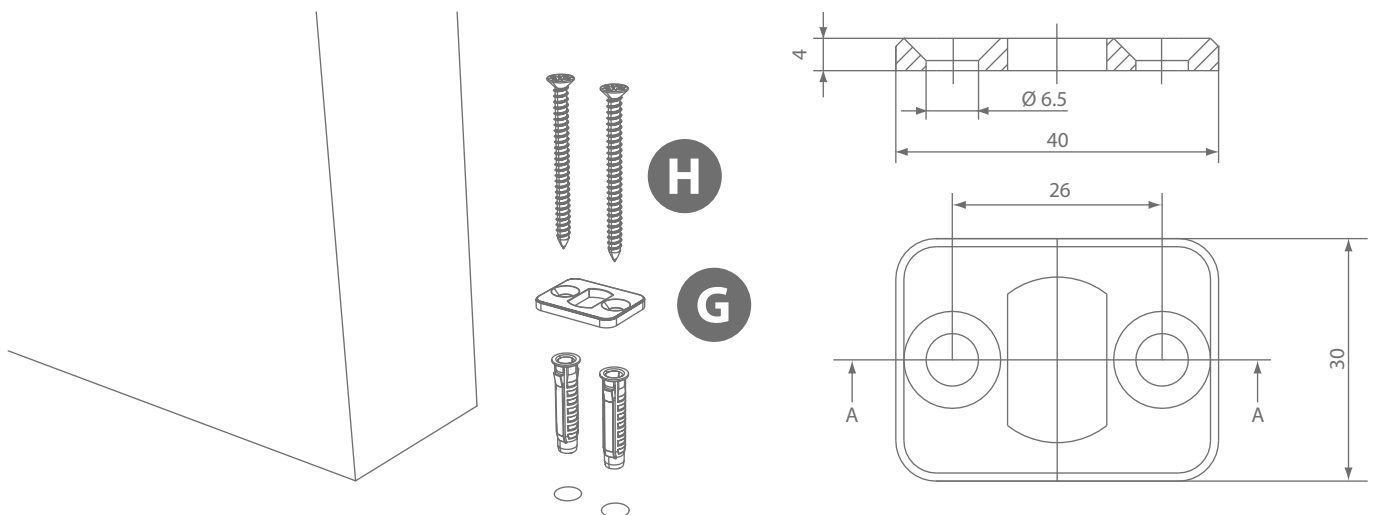
Lintel Mount

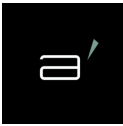


Ceiling Mount



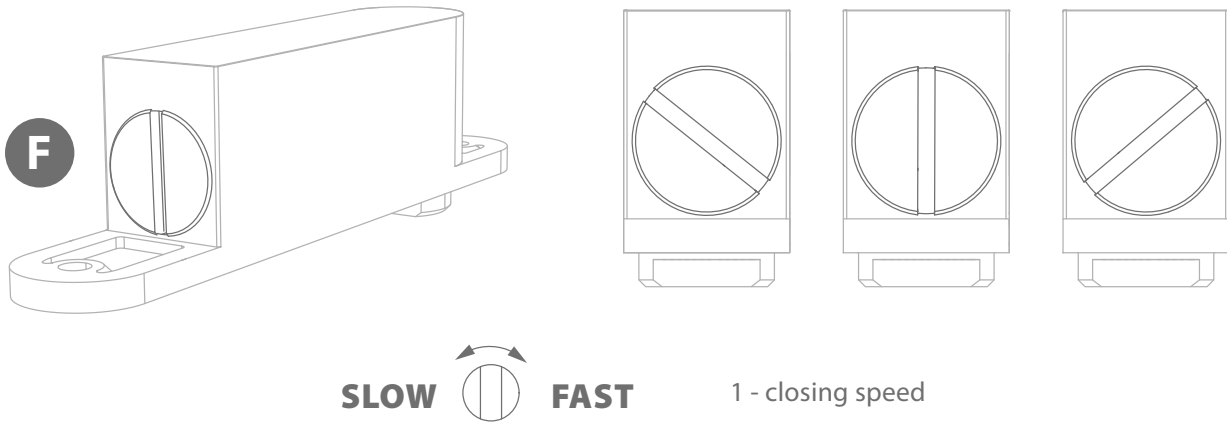
Mounting of Surface Floor Plate



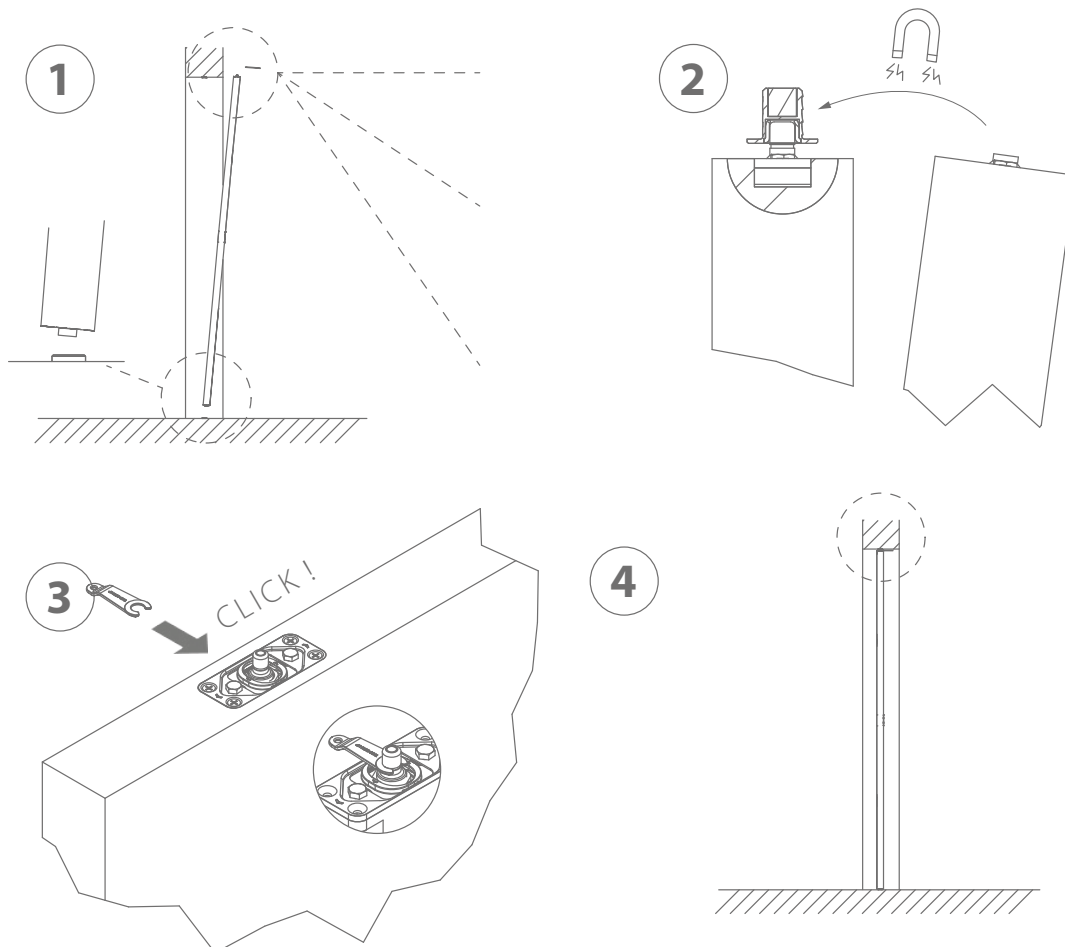


Pivotica 45kg

Adjusting Floor Plate & Pivot



Mounting Door Leaf





Pivotica 45kg

Upper pivot adjustable both in width and depth

